

University of Diyala

Telecom Switching Systems

Lecture 2

4th Stage

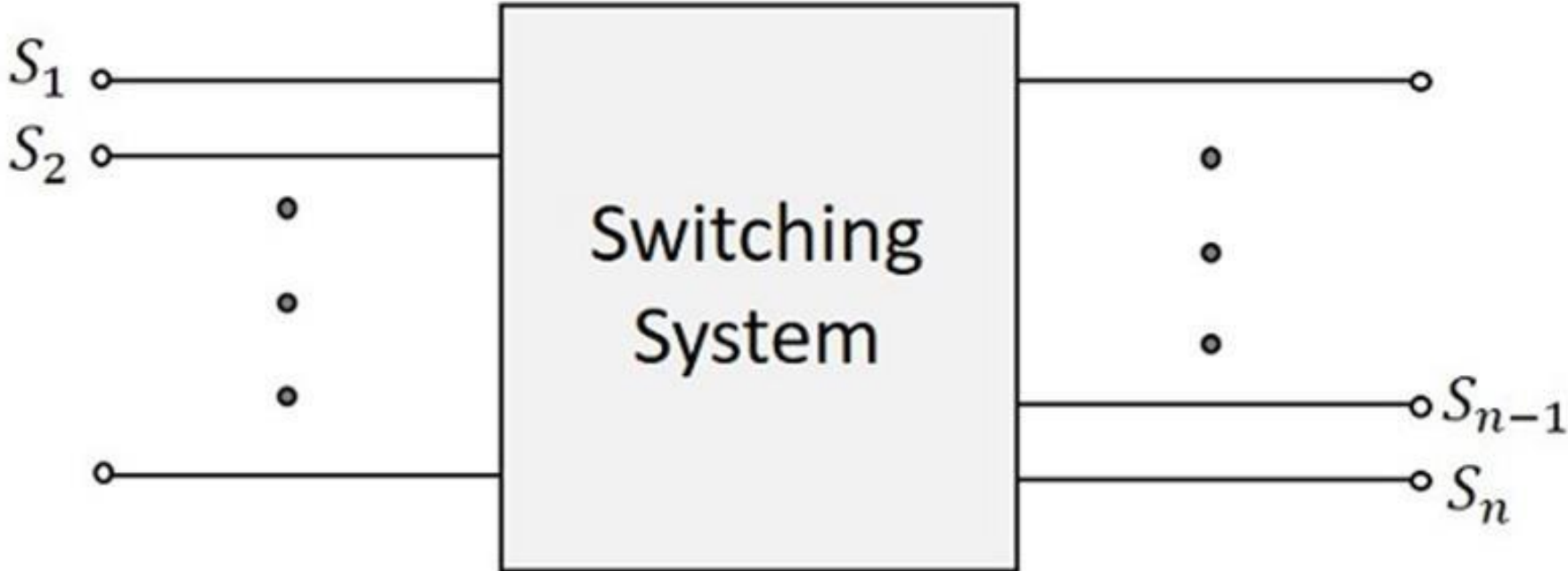
Communication department / Engineering collage

lecturer Marwa Mohammed

Switching Systems

This network connection cannot be simply made with telephone sets and bunch of wires, but a good system is required to make or break a connection. This system is known as the **Switching System** or the **Switching Office** or the **Exchange**. With the introduction of the switching system, the subscribers instead of getting connected directly to one another, are connected to a switching office and then to the required subscriber.

The following figure will help you understand the switching system.



- The switching system, which is also called the Telephone Exchange, takes care of establishing the calls. Hence, the total number of such links is equal to the number of subscribers connected to the system.
- Signaling is required for the switching system to establish or release a connection. It should also enable the switching system to detect whether a called subscriber is busy and if so, indicate the same to the called subscriber.
- The functions performed by a switching system in establishing and releasing connections are known as **Control Functions**.

Classification of Switching Systems

In the early stages of telecommunication systems, the process and stages of switching, played an important to make or break connections.

The following flowchart shows how the switching systems were classified.

